

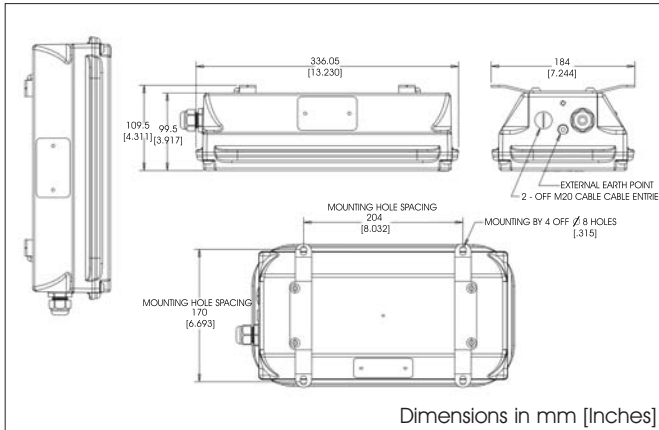


DuroSite® LED Bulkhead Luminaire - CE
For Industrial Application



Patent #8,029,162

DuroSite® LED Bulkhead Luminaire- CE



Certifications & Ratings:

- CE
 - EN 55015: 2006
 - EN 61547: 2009
 - EN 60598: 2008
- UL 1598/A
- UL 8750
- CSA C22.2 NO.25
- IP 66
- IP 67
- RoHS compliant

Features & Benefits:

- L70 rated for > 100,000 hours @ 25°C ambient
- 5 year full performance warranty
- Emergency exit sign kit options available
- Instant on/off operation
- Mercury free, lead free
- Resistant to shock and vibration
- Red and Green LED colour available upon request (MOQ applies for above colour, contact us at www.dialight.com)

Application:

The Dialight DuroSite® Bulkhead luminaire with its low profile rugged design ensures long life and high reliability for a wide variety of industrial applications. Offered in 11 watt, 22 watt and 34 watt models, it is ideally suited for stairwells, platforms, exits, walkways, tunnels, subways and other industrial environments. Dialight offers flush, angle and adjustable mounting options for use with the DuroSite Bulkhead as well as a recessed housing.

Mechanical Information

Fixture Weight	
11W & 22W:	4.70kg (10.30 lbs)
34W	4.85kg (10.70 lbs)

Cable Entry: All cable entries are drilled and tapped see ordering options.

Electrical Specifications

Operating Voltage	
11W & 22W:	100-277V AC, 50/60 Hz or 24-48V DC
34W:	100-277V AC, 50/60 Hz

Total System Power Consumption: 11W / 22W / 34W

Operating Temp	
11W / 22W:	-40°C to +60°C (-40°F to +140°F)
34W:	-40°C to +50°C (-40°F to +122°F)

Harmonics: EN 61000-3-2: 2006

THD: <15% @ 120V AC
<20% @ 230V AC

Surge Protection: 1 kV line to line
2 kV line to ground

Power Factor: > 0.9

Materials

Housing: Copper free LM6 cast aluminium
Finish: Light grey epoxy powder coated (RAL7001)

Finish options (MOQ applies): Please consult factory for colour options

Lens: High impact resistant clear glass
High impact resistant frosted glass

Mounting Brackets: 316 stainless steel

Stanchion Brackets: Copper free LM6 cast aluminium

Photometric Information

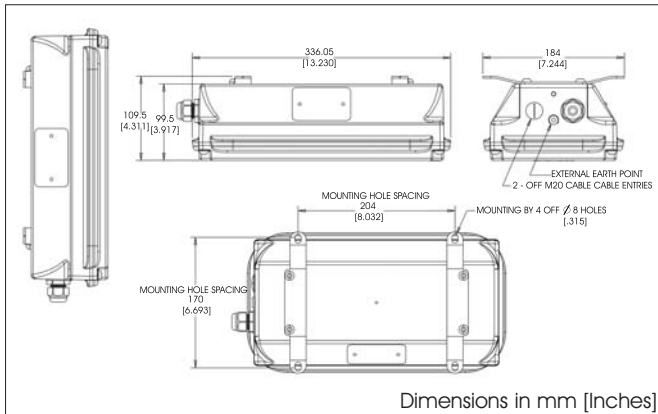
CRI:	70
CCT:	5,650K (cool white) 4,300K (neutral white)
IES Files:	see www.dialight.com

All values typical unless otherwise stated
All lumen values are typical (tolerance +/- 10%)



Patent #8,029,162

DuroSite® LED Bulkhead Luminaire- CE Emergency



Certifications & Ratings:

- CE
 - EN 55015: 2006
 - EN 61547: 2009
 - EN 60598: 2008
- IP 66
- IP 67
- RoHS compliant

Features & Benefits:

- L70 rated for > 100,000 hours @ 25°C ambient
- 5 year full performance warranty (battery not included)
- Emergency exit sign kit options available
- Instant on/off operation
- Mercury free, lead free
- Resistant to shock and vibration
- Red and Green LED colour available upon request
(MOQ applies for above colours, contact us at www.dialight.com)

Application:

The Dialight DuroSite® LED Emergency Bulkhead luminaire has a low profile, rugged design to ensure long life and high reliability in a wide variety of industrial applications. This self-contained, maintained or nonmaintained emergency luminaire offers a minimum of 3 hours of emergency light. It is ideally suited for stairwells, platforms, exits, walkways, tunnels, subways and other industrial environments. Dialight offers flush, angle, stanchion mounting bracket and adjustable mounting options for use with the DuroSite Bulkhead as well as a recessed housing.

Mechanical Information

Fixture Weight	
13W & 24W:	4.67kg (10.30 lbs)
36W:	4.85kg (10.58 lbs)

Cable Entry:	All cable entries are drilled and tapped see ordering options.
---------------------	--

Electrical Specifications

Operating Voltage:	Max: 207-264V AC 50/60Hz Max: 90-132V AC 50/60Hz available on 13W & 24W models only
---------------------------	--

Total System Power Consumption:	See ordering table
--	--------------------

Battery	
13W & 24W:	3.6V 4Ah NimH
36W:	3.6V 10Ah NimH

Battery Life:	4 years
----------------------	---------

Battery duration:	3 hours minimum (Consult factory for longer life models)
--------------------------	---

Operating Temp:	
13W & 24W	0°C to +50°C (32°F - 122°F)
36W:	0°C to +40°C (32°F - 104°F)

Harmonics:	EN 61000-3-2: 2006
-------------------	--------------------

THD:	<15% @ 120V AC <20% @ 230V AC
-------------	----------------------------------

Surge Protection:	1 kV line to line 2 kV line to ground
--------------------------	--

Power Factor:	> 0.9
----------------------	-------

Materials

Housing:	Copper free LM6 cast aluminium
-----------------	--------------------------------

Finish:	Light grey epoxy powder coated (RAL7001)
----------------	--

Finish options (MOQ applies):	Please consult factory for colour options
--------------------------------------	---

Lens:	High impact resistant clear glass High impact resistant frosted glass
--------------	--

Mounting Brackets:	316 stainless steel
---------------------------	---------------------

Stanchion Brackets:	Copper free LM6 cast aluminium
----------------------------	--------------------------------

Photometric Information

CRI:	70
-------------	----

CCT:	5,650K (cool white) 4,300K (neutral white)
-------------	---

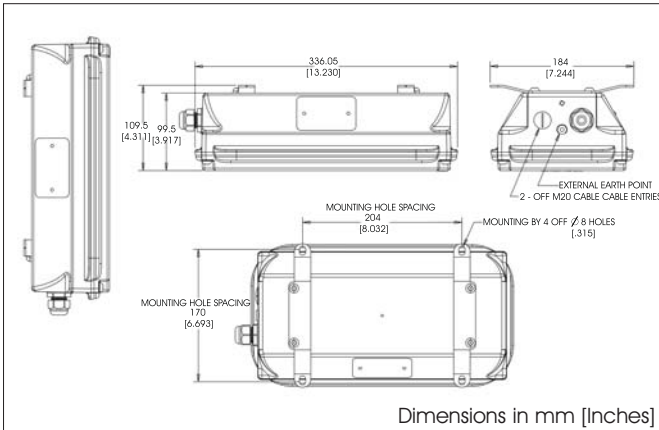
IES Files:	see www.dialight.com
-------------------	--

All values typical unless otherwise stated
All lumen values are typical (tolerance +/- 10%)



Patent #8,029,162

DuroSite® LED Bulkhead luminaire- CE Amber



Dimensions in mm [Inches]

Certifications & Ratings:

- CE
 - EN 55015: 2006
 - EN 61547: 2009
 - EN 60598: 2008
- UL 1598/A
- UL 8750
- CSA C22.2 NO.25
- IP 66
- IP 67
- RoHS compliant

Features & Benefits:

- L70 rated for >100,000 hours @ 25°C ambient
- 5 year full performance warranty
- Instant on/off operation
- Mercury free, lead free
- Resistant to shock and vibration

Application:

The Dialight DuroSite® Bulkhead luminaire with its low profile rugged design ensures long life and high reliability for a wide variety of industrial applications. Offered in 11 watt, 22 watt and 34 watt models, it is ideally suited for stairwells, platforms, exits, walkways, tunnels, subways and other industrial environments. Dialight offers flush, angle and adjustable mounting options for use with the DuroSite Bulkhead as well as a recessed housing.

Mechanical Information

Fixture Weight

11W & 22W: 4.70kg (10.30 lbs)
34W: 4.85kg (10.70 lbs)

Cable Entry:

All cable entries are drilled and tapped see ordering options.

Electrical Specifications

Operating Voltage

11W & 22W: 100-277V AC, 50/60 Hz or 24-48V DC
34W: 100-277V AC, 50/60 Hz

Total System

Power Consumption: 11W / 22W / 34W

Operating Temp

11W / 22W: -40°C to +60°C (-40°F to +140°F)
34W: -40°C to +50°C (-40°F to +122°F)

Harmonics:

EN 61000-3-2: 2006

THD:

<15% @ 120V AC
<20% @ 230V AC

Surge Protection:

1 kV line to line
2 kV line to ground

Power Factor:

> 0.9

Materials

Housing:

Copper free LM6 cast aluminium

Finish:

Light grey epoxy powder coated (RAL7001)

Finish options

(MOQ applies):

Please consult factory for colour options

Lens:

High impact resistant clear glass
High impact resistant frosted glass

Mounting Brackets:

316 stainless steel

Stanchion Brackets:

Copper free LM6 cast aluminium

Photometric Information:

CRI (typ):

30 (range 26-40)

Nmetres (typ):

590 (range 586-592)

IES Files:

Consult factory

All values typical unless otherwise stated

All lumen values are typical (tolerance +/- 10%)

DuroSite® LED Bulkhead Luminaire

Ordering Information

Part Number	Voltage	Lens	Optic	CCT	Lumens	Wattage	LPW
Standard Models - 100 - 277V AC							
WP-2C3L-NLGC	100-277V AC	Clear Glass	Wide	5,650K (cool white)	2,250	34	66
WP-4C3L-NLGC	100-277V AC	Clear Glass	Oval (35° X 55°)	5,650K (cool white)	2,250	34	66
WP-5C3L-NLGC	100-277V AC	Clear Glass	Oval (55° X 35°)	5,650K (cool white)	2,150	34	63
WP-2C3H-NLGC	100-277V AC	Clear Glass	Wide	5,650K (cool white)	1,200	22	55
WP-4C3H-NLGC	100-277V AC	Clear Glass	Oval (35° X 55°)	5,650K (cool white)	1,200	22	55
WP-5C3H-NLGC	100-277V AC	Clear Glass	Oval (55° X 35°)	5,650K (cool white)	1,200	22	55
WP-2C3C-NLGC	100-277V AC	Clear Glass	Wide	5,650K (cool white)	600	11	55
WP-4C3C-NLGC	100-277V AC	Clear Glass	Oval (35° X 55°)	5,650K (cool white)	600	11	55
WP-5C3C-NLGC	100-277V AC	Clear Glass	Oval (55° X 35°)	5,650K (cool white)	600	11	55
Standard Models - 24 - 48V DC							
WP-4C2H-NLGC	24 - 48V DC	Clear Glass	Oval (35° X 55°)	5,650K (cool white)	600	11	55
Emergency Models - 207-264V AC							
WE-2C4L-NLGC	207-264V AC	Clear Glass	Wide	5,650K (cool white)	2,250	36	62
WE-4C4L-NLGC	207-264V AC	Clear Glass	Oval (35° X 55°)	5,650K (cool white)	2,250	36	62
WE-5C4L-NLGC	207-264V AC	Clear Glass	Oval (55° X 35°)	5,650K (cool white)	2,150	36	60
WE-2C4H-NLGC	207-264V AC	Clear Glass	Wide	5,650K (cool white)	1,200	24	55
WE-4C4H-NLGC	207-264V AC	Clear Glass	Oval (35° X 55°)	5,650K (cool white)	1,200	24	50
WE-5C4H-NLGC	207-264V AC	Clear Glass	Oval (55° X 35°)	5,650K (cool white)	1,200	24	50
WE-2C4C-NLGC	207-264V AC	Clear Glass	Wide	5,650K (cool white)	600	13	46
WE-4C4C-NLGC	207-264V AC	Clear Glass	Oval (35° X 55°)	5,650K (cool white)	600	13	46
WE-5C4C-NLGC	207-264V AC	Clear Glass	Oval (55° X 35°)	5,650K (cool white)	600	13	46
Emergency Models - 90-132V AC							
WE-2C5H-NLGC	90-132V AC	Clear Glass	Wide	5,650K (cool white)	1,200	24	55
WE-4C5H-NLGC	90-132V AC	Clear Glass	Oval (35° X 55°)	5,650K (cool white)	1,200	24	50
WE-5C5H-NLGC	90-132V AC	Clear Glass	Oval (55° X 35°)	5,650K (cool white)	1,200	24	50
WE-2C5C-NLGC	90-132V AC	Clear Glass	Wide	5,650K (cool white)	600	13	46
WE-4C5C-NLGC	90-132V AC	Clear Glass	Oval (35° X 55°)	5,650K (cool white)	600	13	46
WE-5C5C-NLGC	90-132V AC	Clear Glass	Oval (55° X 35°)	5,650K (cool white)	600	13	46
Amber Models - 207-264V AC							
WP-2A3L-NLGC	100-277V AC	Clear Glass	Wide	Amber		34	
WP-4A3L-NLGC	100-277V AC	Clear Glass	Oval (35° X 55°)	Amber		34	
WP-5A3L-NLGC	100-277V AC	Clear Glass	Oval (55° X 35°)	Amber		34	
WP-2A3H-NLGC	100-277V AC	Clear Glass	Wide	Amber		22	
WP-4A3H-NLGC	100-277V AC	Clear Glass	Oval (35° X 55°)	Amber		22	
WP-5A3H-NLGC	100-277V AC	Clear Glass	Oval (55° X 35°)	Amber		22	
WP-2A3C-NLGC	100-277V AC	Clear Glass	Wide	Amber		11	
WP-4A3C-NLGC	100-277V AC	Clear Glass	Oval (35° X 55°)	Amber		11	
WP-5A3C-NLGC	100-277V AC	Clear Glass	Oval (55° X 35°)	Amber		11	

Please consult factory for amber model lumen values

Standard and Emergency Models Only:

Models shown are cool white, no bracket, clear glass:

¹For cool white models replace the 4th character with an **N** Ex: WE-2**C**4L-NLGC becomes WE-2**N**4L-NLGC

All Models:

²Angle bracket replace the 9th character with an **A** WP-2C3L-NLGC becomes WP-2N3L-**A**LG

³Flush bracket replace the 9th character with an **F** WP-2C3L-NLGC becomes WP-2N3L-**F**LG

⁴Frosted glass models replace the 12th character with an **F** WP-2C3L-NLGC becomes WP-2C3L-NLGC**F** (Frosted lens reduces lumen output by 6%)

⁵For the -20°C option models add **-20** to the ordering code WE-2C4H-NLGC becomes WE-2C4H-NLGC-**20**

DuroSite® LED Bulkhead Luminaire

Gland Entry Options

Standard Option
2 Entries One Side



Option "E"
2 Entries One Side, 1 Entry Opposite Side
Add **E** to the end of the order code



Option "R"
Rear Entry Point
Add **R** to the end of the order code

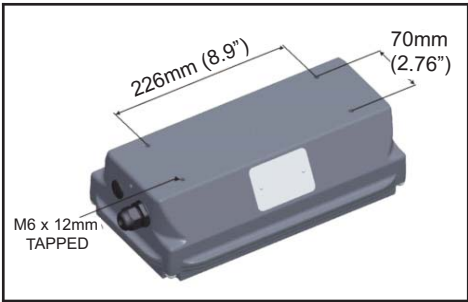


Option "H"
2 Entries One Side, 2 Entries Opposite Side
and 1 Entry in the Rear
Add **H** to the end of the order code

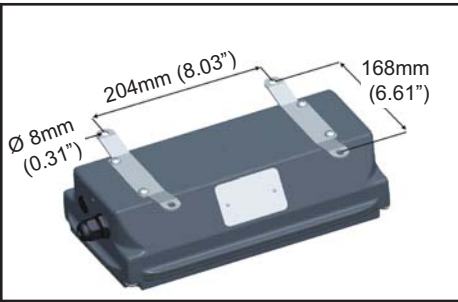


For gland size options and rear entry option please consult factory, MOQ applies.

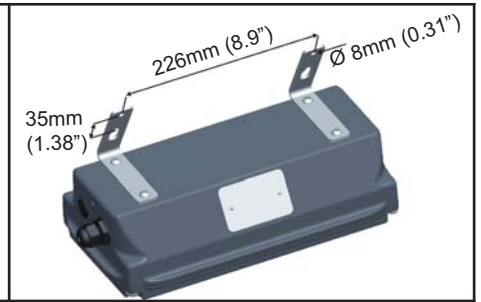
Without Bracket



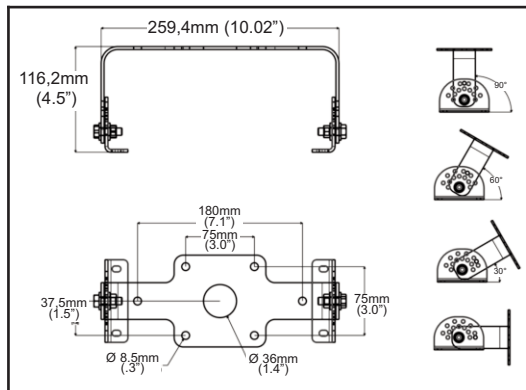
Flush Bracket



30° Angle Bracket

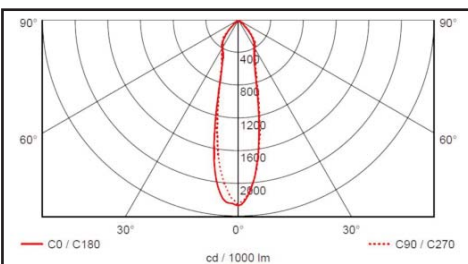


Adjustable bracket

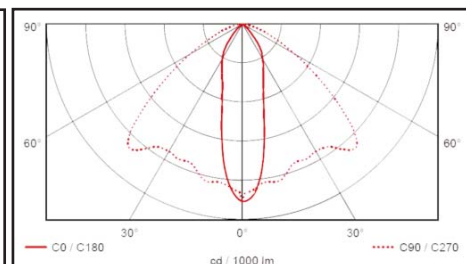


Polar Plots

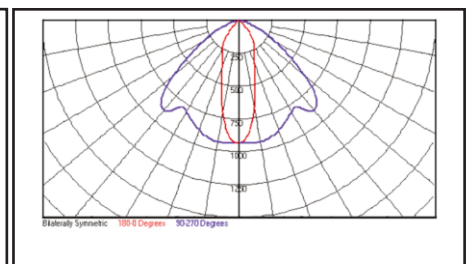
Wide Optic



Oval Optic (35°x55°)



Oval Optic (55°x35°)



DuroSite® LED Bulkhead Luminaire

Mounting Options & Accessories

	Part Number	Description	Kit Includes
	WP-BRKT-SS-ADJ	Adjustable bracket	Bracket to fixture hardware
	WP-STMB-LG00-22	1 1/2" BSP threaded straight stanchion mounting bracket	EPDM gasket applied 2 M6 grub screws
	WP-STMB-LG00-24	1 1/2" NPT threaded straight stanchion mounting bracket	EPDM gasket applied 2 M6 grub screws
	WP-STMB-LG25-22	1 1/2" BSP threaded 25 degree stanchion mounting bracket	EPDM gasket applied 2 M6 grub screws
	WP-STMB-LG25-24	1 1/2" NPT threaded 25 degree stanchion mounting bracket	EPDM gasket applied 2 M6 grub screws
	WP-STMB-LG85-22	1 1/2" BSP threaded 85 degree stanchion mounting bracket	EPDM gasket applied 2 M6 grub screws
	WP-STMB-LG85-24	1 1/2" NPT threaded 85 degree stanchion mounting bracket	EPDM gasket applied 2 M6 grub screws
	WP-STMB-LG85-50	Non threaded bore 34mm diameter	EPDM gasket applied 2 M6 grub screws
	WP-STMB-LG85-60	Non threaded bore 38mm diameter	EPDM gasket applied 2 M6 grub screws
	WP-BRKT-LG-PF	Pipe and flush bracket	Bracket to fixture hardware
	WP-RECESS-WH	Recessed housing	Recessed housing Bracket to fixture hardware
	WPX-000799-BATT	Replacement Battery Kit (for Battery Backup models only)	Battery (4Ah 3.6V Battery Module)
	WPX-001500-BATT	Replacement Battery Kit (for Battery Backup models only)	Battery (10Ah 3.6V Battery Module)









WP-STMB-LG00-XX

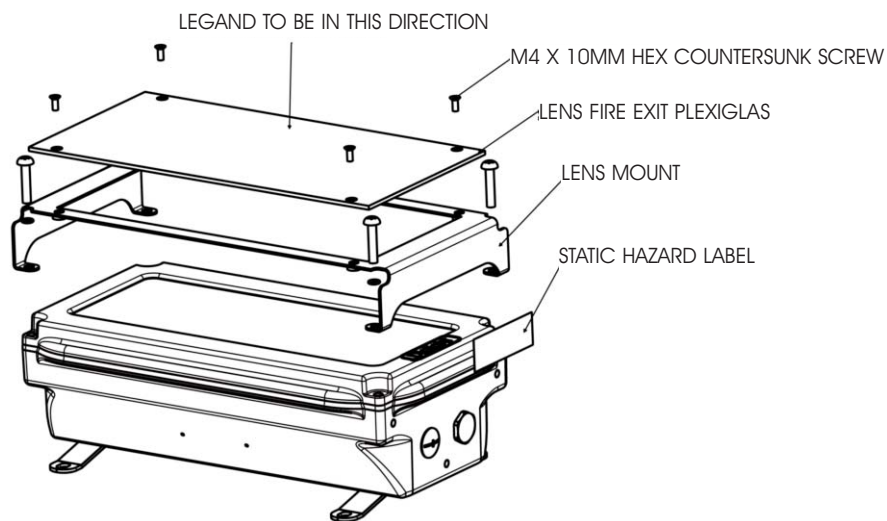
Stanchion mounting bracket



DuroSite® LED Bulkhead Luminaire

Emergency Sign Options

	Part Number	Description	Kit Includes
	WP-LM-FE-TUM	Fire exit, man, arrow up	Emergency sign Sign bracket Mounting hardware
	WP-LM-FE-TRM	Fire exit, man, arrow right	Emergency sign Sign bracket Mounting hardware
	WP-LM-FE-TLM	Fire exit, man, arrow left	Emergency sign Sign bracket Mounting hardware
	WP-LM-FE-TDM	Fire exit, man, arrow down	Emergency sign Sign bracket Mounting hardware
	WP-LM-FE-TRM-AU	Man, arrow right	Emergency sign Sign bracket Mounting hardware
	WP-LM-FE-TLM-AU	Man, arrow left	Emergency sign Sign bracket Mounting hardware
	WP-LM-FE-LM-AU	Man left	Emergency sign Sign bracket Mounting hardware
	WP-LM-FE-RM-AU	Man right	Emergency sign Sign bracket Mounting hardware



Dialight reserves the right to make changes at any time in order to supply the best product possible. The most current version of this document will always be available at: www.dialight.com/Assets/Brochures_And_Catalogs/Illumination/MDEXWPBHEUX001.pdf

Warranty Statement: EXCEPT FOR THE WARRANTY EXPRESSLY PROVIDED FOR [HEREIN/ABOVE/BELOW], DIALIGHT DISCLAIMS ANY AND ALL OTHER WARRANTIES, EXPRESS OR IMPLIED, INCLUDING, WITHOUT LIMITATION, ANY WARRANTIES OF MERCHANTABILITY, FITNESS FOR A PARTICULAR PURPOSE, TITLE, AND NONINFRINGEMENT