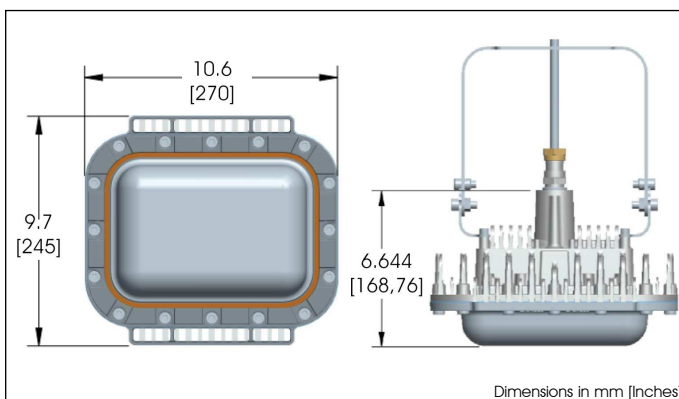




Patent Pending

DuroSite® LED Area Light CE



Certifications

- CE
 - IEC 55015
 - IEC 61547
 - IEC 60598
 - IEC 62031
- IEC 62471
- IP66 to EN60529

Features & Benefits

- L70 rated for > 100,000 hours @ 25°C ambient
- 5 year full performance warranty
- Instant on/off operation
- Universal power supply
- Superior color rendition index compared to HPS, LPS, MV
- Mercury free
- Resistant to shock and vibration
- Temperature compensation technology for longer life
- Factory sealed

Application:

The DuroSite® LED Area Light represents the future of energy efficient facility illumination for industrial applications worldwide. The lighting fixture consumes at least 50% less energy than traditional HID light sources, while reducing maintenance and carbon emissions. This light incorporates both cutting edge LED technology along with proprietary optics to achieve area lighting comparable with other traditional light sources. Whether your application is in a work area or any other application, this fixture offers improved performance across the board.

Mechanical Information

Fixture Weight:	5.22 kg (11.5lb)
Shipping Weight:	6.12 kg (13.5lb)
Mounting:	Mounting bracket provided
Cabling:	Factory installed 3 meter 3 core PVC cable

Electrical specifications

Operating Voltage:	100 - 277V AC, 50/60 Hz
Power Consumption:	See table
Operating Temp:	-40°C to +65°C (-40°F to +149°F)

Noise Requirements/ EMC:

EN 61000-3-2, EN 61000-4-2, EN 61000-4-3,
EN 61000-4-4, EN 61000-4-5, EN 61000-4-6,
EN 61000-4-11

Surge Protection:

EN 61000-4-5
1 kV line to line
2 kV line to ground

THD:

<20%

Power Factor:

> 0.9

Construction

Housing:	Powder coated alum.
Finish:	Polyester / epoxy powder coat gray RAL 7040 for superior corrosion resistance
Lens:	Polycarbonate

Photometric Information

CRI:	70
CCT:	5000K (cool white) 4000K (neutral white)
Optics:	180° forward throw 360° circular pattern
IES Files:	Available upon request

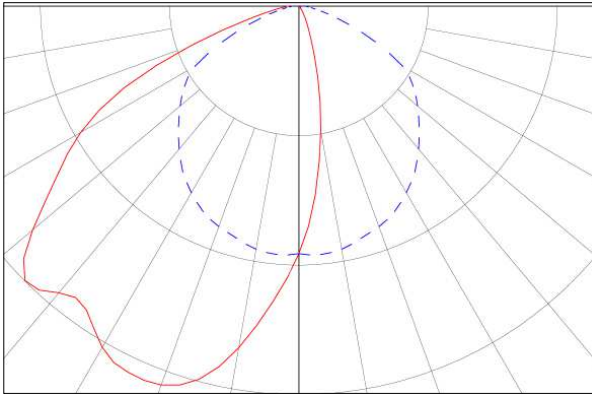
All values typical unless otherwise state
All lumen values are typical (tolerance +/- 10%)



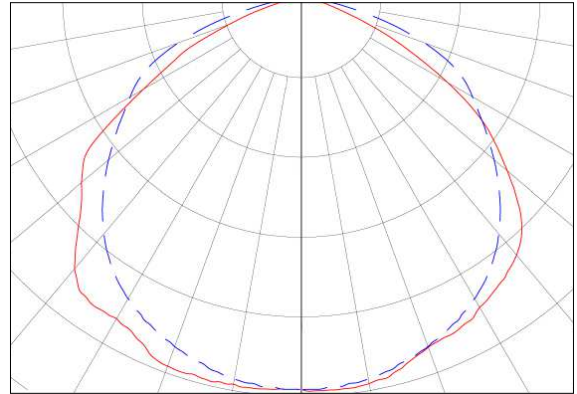
DuroSite® LED Area Light - CE

Polar Plots

180° Optical Pattern Mounted at 45°



360° Optical Pattern



Ordering Information

Part Number*	Optical Pattern	Color	Fixture Lumens	Wattage	Lumens Per Watt	Replaces Up To
STWFC2N-EU	360	5000K (cool white)	7,000	68	103	250W HID
STWEC2N-EU	180	5000K (cool white)	7,000	68	103	250W HID
STW9C2N-EU	360	5000K (cool white)	6,000	58	103	250W HID
STW8C2N-EU	180	5000K (cool white)	6,000	58	103	250W HID
STW5C2N-EU	360	5000K (cool white)	5,000	47	106	175W HID
STW4C2N-EU	180	5000K (cool white)	4,700	47	100	175W HID
STW3C2N-EU	360	5000K (cool white)	4,000	38	105	70W HID
STW2C2N-EU	180	5000K (cool white)	4,000	38	105	70W HID
STW1C2N-EU	360	5000K (cool white)	2,200	21	105	70W HID
STW0C2N-EU	180	5000K (cool white)	2,200	21	105	70W HID

*180° optical pattern models are optimised for a 45° mounting angle

*Part numbers listed in the above table are cool white. For neutral white models, replace the 5th character with **N**. EX. STW5**C**2N-EU becomes STW5**N**2N-EU