

Dialight



**SafeSite<sup>®</sup> LED High Bay - ATEX / IECEx**

for Indoor and Outdoor Industrial Applications



# On when it matters most.

---

Products and solutions that protect your business





## Features & Benefits

- 5 year full performance warranty
- L70 rated for >100,000 hours @ 25°C ambient
- Low power consumption
- Instant on/off
- Maintenance free
- Mercury free
- No UV or IR
- Resistant to shock and vibration
- Superior colour rendition index compared to HPS, LPS, MV
- Temperature compensation technology for longer life
- Optional glass retention film

## Application

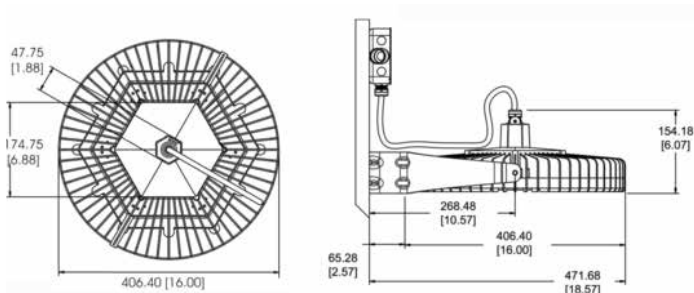
The Dialight SafeSite® LED High Bay luminaire was designed specifically to replace conventional lighting in a wide variety of hazardous area applications, both indoor and outdoor. Its low profile light weight design and versatile mounting options make it ideal for High Bay applications for ATEX and IECEx classified hazardous area zones. All of Dialight's long life LED luminaires are designed to meet the most demanding specification criteria while offering maximum energy savings, reduced maintenance costs, and a superior quality of light.

# SafeSite LED High Bay - ATEX / IECEx

## Standard Models



Patent pending



Dimensions in mm (inches)

### Certifications & Ratings (All Models)

- ATEX Zones 1, 21
- ATEX Zones 2, 22
- CE
- EN 55015-2006
- EN 61547
- ABS Design Assessed: #13-HS1043210A
- IP66
- RoHS compliant

### Certifications & Ratings (14,500lm)

- Ex II 2 GD Ex d IIB T4 Gb (factory fitted cable)
- Ex II 2 GD Ex d e IIB T4 Gb (factory fitted junction box)
- Ex tb IIIC 135°C Db
- Certificate numbers: IECEx BAS 10.0074X Baseefa 10ATEX0148X

### Certifications & Ratings (9,500lm and 11,500lm)

- Ex II 2 GD Ex d IIB T5 Gb (factory fitted cable)
- Ex II 2 GD Ex d e IIB T5 Gb (factory fitted junction box)
- Ex tb IIIC 100°C Db
- Certificate numbers: IECEx BAS 10.0074X Baseefa 10ATEX0148X

### Certifications & Ratings (Hydrogen Environment -9,500lm and 11,500lm)

- Ex II 2 GD Ex d IIB+H2 T5 Gb (factory fitted cable)
- Ex II 2 GD Ex d e IIB+H2 T5 Gb (factory fitted junction box)
- Ex tb IIIC T100°C Db IP 66
- Certificate numbers: IECEx BAS 12.0044X Baseefa 12ATEX0070X

### Mechanical Information:

- Fixture weight:** 13.6kg (30lbs) with fixed cable  
15.1kg (33lbs) with junction box
- Mounting:** Hook (supplied) or Swivel bracket (supplied separately)
- Wiring options:** Factory installed 3 meter SWB cable or factory fitted junction terminal box with 2 off M20 x 1.5mm or 2 off M25 x 1.5mm cable entries

### Electrical Specifications:

- Operating voltage:** 100 – 277V AC
- Total system power consumption:** See table
- Operating temperature:** -40°C to +60°C
- Harmonics:** IEC 61000-3-2
- Surge protection:** EN 61000-4-5  
1 KV line to line, 2 KV line to ground
- THD:** <20%
- Power factor:** > 0.9

### Construction:

- Housing:** Copper free aluminum
- Finish:** Light grey powder coated
- Lens:** Tempered glass (optional fragment retention film available)

### Photometric Information:

- CRI:** 70
- CCT:**  
14,500: 5000K (cool white)  
9,500 - 11,000lm: 4000K (neutral white)

All values typical unless otherwise stated (tolerance +/- 10%)

# SafeSite LED High Bay - ATEX / IECEx

## Mounting Options and Accessories



**HBXW3**

- Aluminium swivel bracket

**HBXW3-SS**

- Stainless steel swivel bracket



**HBXSBDK**

- Sand blast kit (dome lens)

**HBXSBDL**

- Sacrificial dome lens



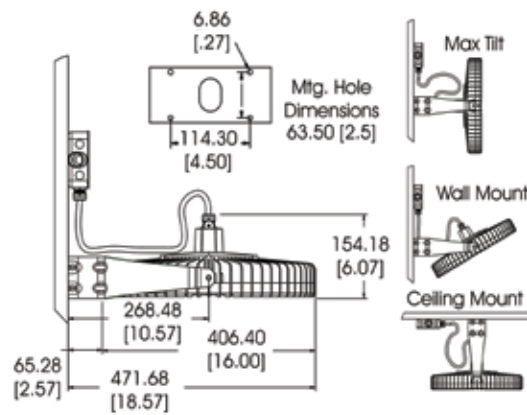
**HBXSBK**

- Sand blast kit (flat lens)

**HBXSBL**

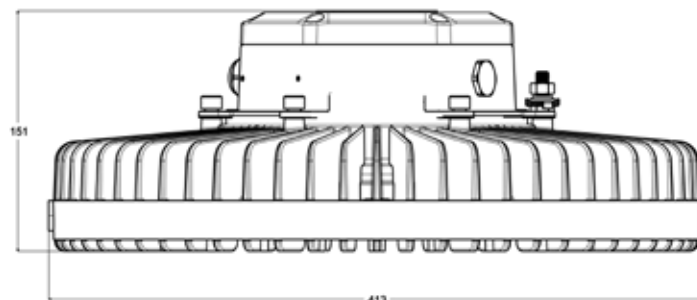
- Sacrificial flat lens

HBXW3 - Swivel Bracket Dimensions



Dimensions in mm

High Bay with Junction Box Dimensions

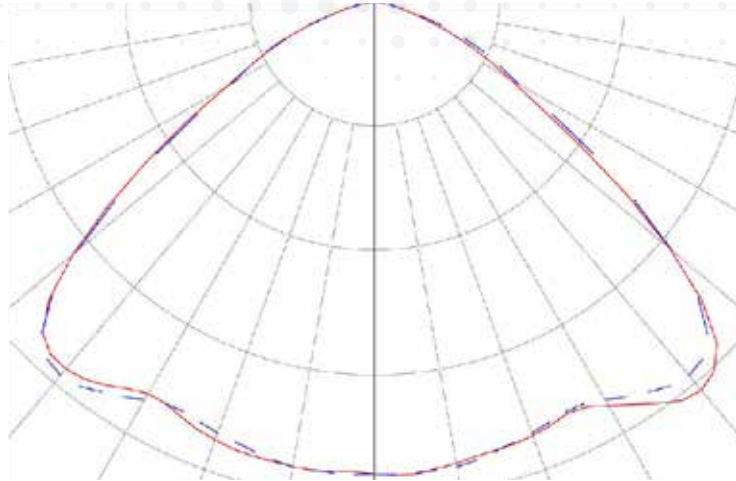


Dimensions in mm

# SafeSite LED High Bay - ATEX / IECEx

## Light Distribution Pattern

Circular Pattern



# SafeSite LED High Bay - ATEX / IECEx

## Ordering Information

Part Number	Hydrogen Environments	Stainless Steel Fasteners and Gland	Initial Fixture Lumens	Typical Wattage	Maximum Wattage	Lm/W	IP Rating	Voltage	Colour Temperature (CCT)	Lens	Light Distribution
<b>Standard Models</b>											
HBA9CMP			14,500	172	195	81	IP66	100 - 277V AC	5000K	Glass	Circular
HBA9C4P			11,000	161	165	73	IP66	100 - 277V AC	5000K	Glass	Circular
HBA9C4M			9,500	150	165	63	IP66	100 - 277V AC	5000K	Glass	Circular
HBH9C4M	•		9,500	150	165	63	IP66	100 - 277V AC	5000K	Glass	Circular
HBH9C4M-SS	•	•	9,500	150	165	63	IP66	100 - 277V AC	5000K	Glass	Circular
<b>Junction Box Models</b>											
HBJA9CMP			14,500	172	195	81	IP66	100 - 277V AC	5000K	Glass	Circular
HBJA9C4P			11,000	161	165	73	IP66	100 - 277V AC	5000K	Glass	Circular
HBJA9C4M	•		9,500	150	165	63	IP66	100 - 277V AC	5000K	Glass	Circular
HBJH9C4M	•		9,500	150	165	63	IP66	100 - 277V AC	5000K	Glass	Circular

All values typical unless otherwise stated (tolerance +/- 10%)

Note for all models:

For optional glass fragment retention film, add **-GFILM** to the end of the part code.

Note for Junction box models only:

For M25 junction box entry model, add **-M25** to the end of the junction box part number. Example: HBJA9CMP will now become HBJA9CMP-M25

